

SPECIFICATION  
7-301/1992-01-01

**SOLO H 606 RTS**

TAMROCK

**APPLICATION**

The SOLO H 606 RTS is a hydraulic long-hole drilling rig for long hole production drilling in underground mines. It has been designed for vertical plane rings and fans and also for parallel long holes and long single holes. The compact size of the SOLO H 606 RTS makes it specially suitable for operations in narrow ore bodies.

Rigid-framed, electro-hydraulically powered carrier, skid steering, electro-hydraulic drilling with one hydraulic rock drill.

Ext drill steels	Hole $\phi$ range	Opt. hole $\phi$	Opt. hole length with opt. hole $\phi$
1 1/4" (32 mm)	51...64 mm	51	0...30 m
1 1/2" (38 mm)	64...89 mm	64	0...40 m
1 3/4" (45 mm)	76...89 mm	76	0...40 m

**TECHNICAL DATA FOR BASIC MODEL (without alternatives and options)**

Length	6200 mm
Width	2300 mm
Tramming dimensions:	
- Height	2350 mm or 1800 mm
- Width	2300 mm
- Length	7180 mm (see spec. No. 7-032)
Length of chain feed (5' rods)	3115 mm
Total weight	13000 kg
Tramming speed, horizontal	1.0 km/h (with electric motor)
Tramming speed, 14 % = 1:7 = 8°	1.0 km/h (with electric motor)
Gradeability	16° = 1:3.5 = 28 %
Turning radius, outside	3500 mm
Feed rotation	360°
Feed tilt	60° forwards, 20° backwards
Lateral movement for parallel holes	3500 mm
Total input power without options	78 kW

**COMPONENTS IN BASIC MODEL**

1. Carrier	1 x Tamrock rigid type, 06
- Tyres	4 x 8.25...15/12 ply
2. Rock drill	1 x HL 600 S
3. Chain feed	1 x CF 145 H x 5/PITO 11 (5' rods)
4. Boom	1 x RTS 26
5. Control panel	1 x TIC 610 EWA
6. Powerpack	1 x HP 616, 55 kW
7. Oil cooler	1 x OW 30
8. Main switch	1 x MSN 53
9. Hydraulic jack	4 x HM 40
10. Water pressure valve	1 x WP 70 H
11. Water booster pump	1 x WBP 2, 4 kW
12. Central oiler for shank lubrication	1 x KVL 10-1
13. Air cleaner	1 x IP 5
14. Hydraulic cable reel	1 x HK 70
15. Compressor for shank lubrication	1 x C 1000, 7.5 kW
16. Lighting: working lights	2 x 400 W, 42 V or 2 x 500 W, 220 V
driving lights	4 x 70 W, 24 V
17. Positioning lights	Halogen type
18. Boom swing with hydraulic motor	

**ALTERNATIVES**

3. Chain feed	1 x CF 145 H x 4' or CF 145 H x 6'
---------------	------------------------------------

**OPTIONS**

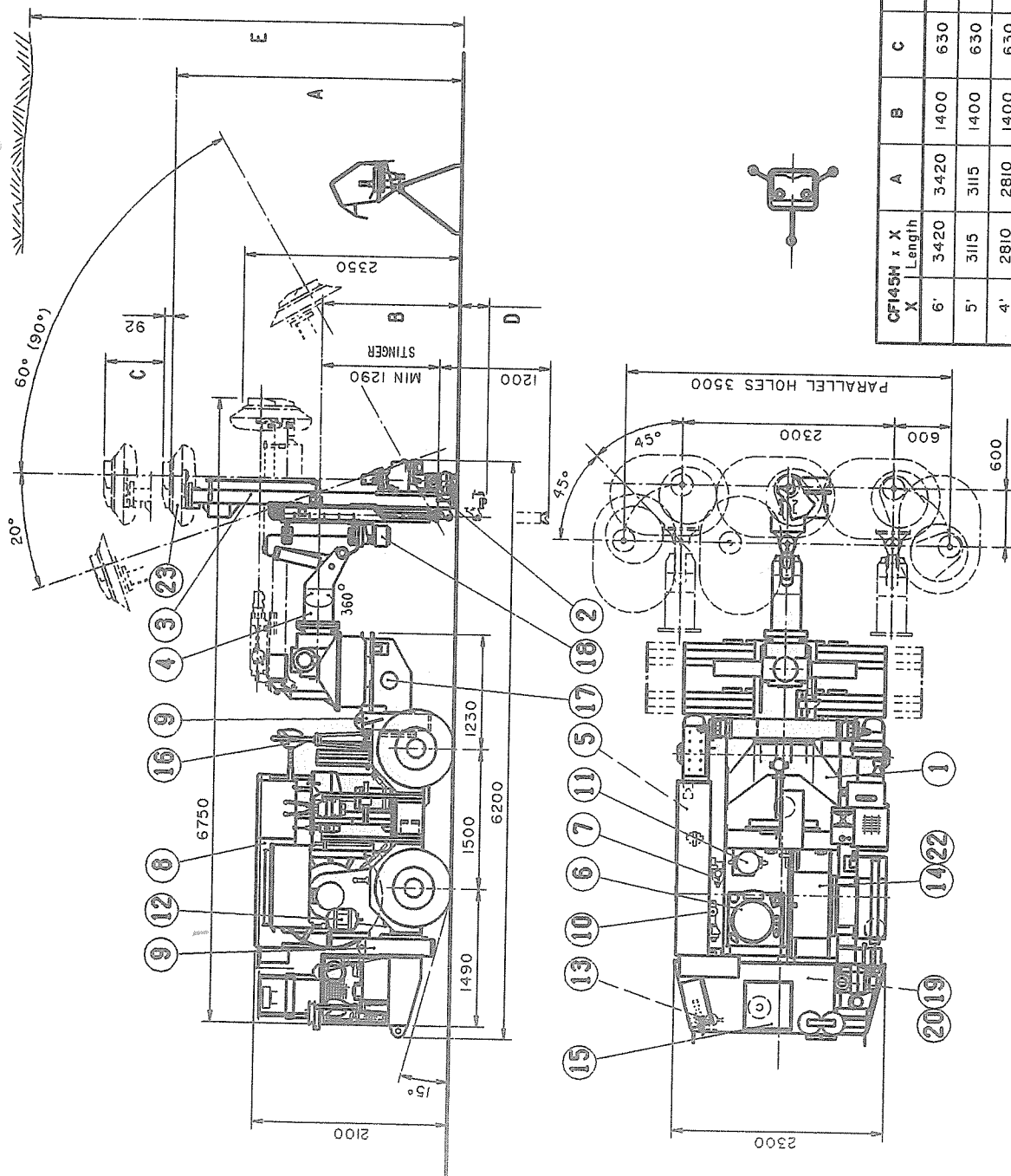
17. Positioning lights	Laser type
19. Engine	1 x Deutz F4L 912 W, 42 kW (57 hp)(tramming speed 2.5 km/h, four-wheel drive)
	1 x Deutz F6L 912 W, 63 kW (85 hp)
20. Engine	
21. Ground fault and overcurrent control unit	1 x VYK 100 or VYK 100 P
22. Cable	
23. Cuttings collector	1 x CC 611
24. Hole direction measuring system TMS	
25. Central greasing system of the rig	
26. High-pressure cleaning system	

**TAMROCK**

SF-333II TAMPERE, FINLAND  
 Tel. Int +358 31 241 4111  
 Telefax +358 31 241 4333

SOLO H 606 RTS

7-301



CF145H x X Length	A	B	C	D	E
6'	3420	1400	630	320	3500
5'	3115	1400	630	300	3200
4'	2810	1400	630	-	2900